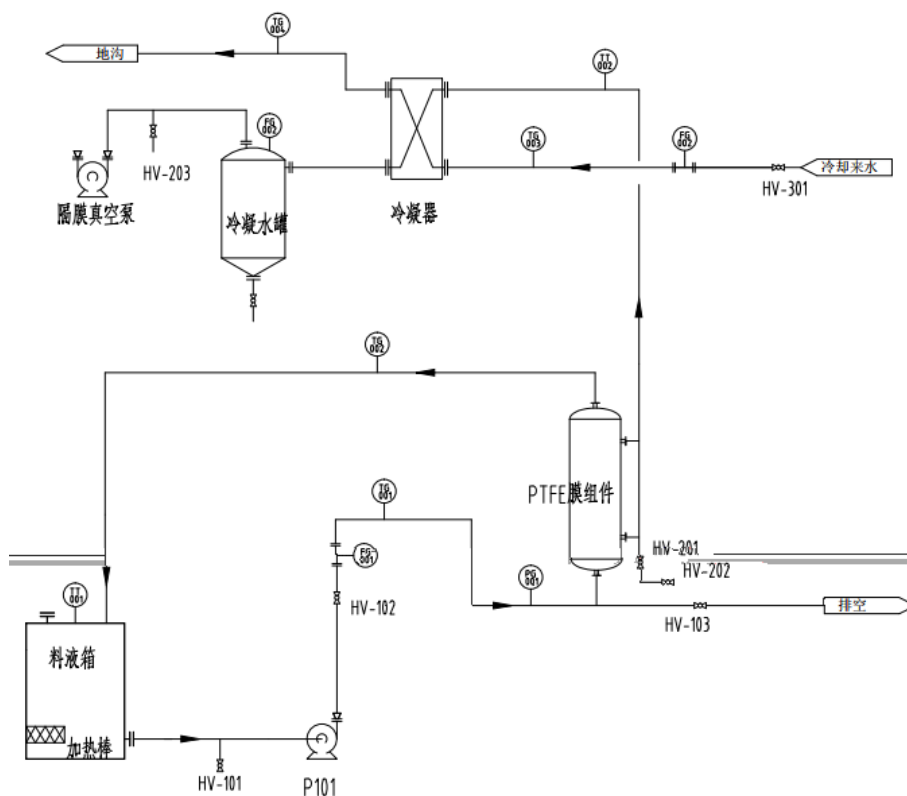


WTM-VMD2020-1



.....

1.

.....

2.

.....

3.

.....

4.

.....

PTFE

PTFE

PP

PVDF

PTFE





PTFE

1. ... PTFE ...
2. ...
3. ...

	—		
	50*L500		
	0.7	m ²	
	3-5	LMH	
	2.1—3.5	L/h	
	0-14		
	4--80		

1	PE	20L	1	
2	PVDF		1	
3	MD2020 PTFE		1	
4	2 0.7	CPVC		
5			1	
6		2.5KW	1	
7			1	
8		3L	1	
9				
10				
11		DN15	1	
12		DN15	1	
13		DN15	1	
14		DN15	1	
15			1	
16			1	

